



Eagle
WINDOWS & DOORS



an Andersen Company

STOP
This glass is installed with a spacer in the center of the glass. The spacer is made of a special material that allows the glass to expand and contract with the weather. It is not a sealant. It is not a sealant. It is not a sealant.

GUERRY
LUMBER

Talon®

Double-Hung Windows

A classic look with modern functionality. Eagle's Talon double-hung uses updated, clean features for impact resistance and day-to-day functionality. The sash locks support our unique Passive Impact Stability System and act as the tilt latch system for easy cleaning.



Frame & Sash

The lower sash features a taller bottom rail and traditional stile and rail design. From the exterior, the bottom rail height is 3-3/4" tall. With the sash positioned behind the sill, this classic look provides style and functionality.

Our redesigned Talon incorporates a Passive Impact Stability System that requires no extra steps to ensure the integrity of the window. Two or more snubbers, applied to the sill, create a structural connection between the lower sash and frame. Simply close and lock the window and it's ready

to withstand even the toughest weather conditions.

Glazing

Our glazing incorporates a stainless steel spacer with a dual-seal construction that helps to eliminate the potential for moisture.

Hardware

Talon sash lock/tilt mechanisms and keepers give a slim, more traditional design and allow opening and tilting of the window in one operation. Tilting the sash from the inside for cleaning is effortless. Handed locks help to self-center the sash in the frame.

Jamb Liners

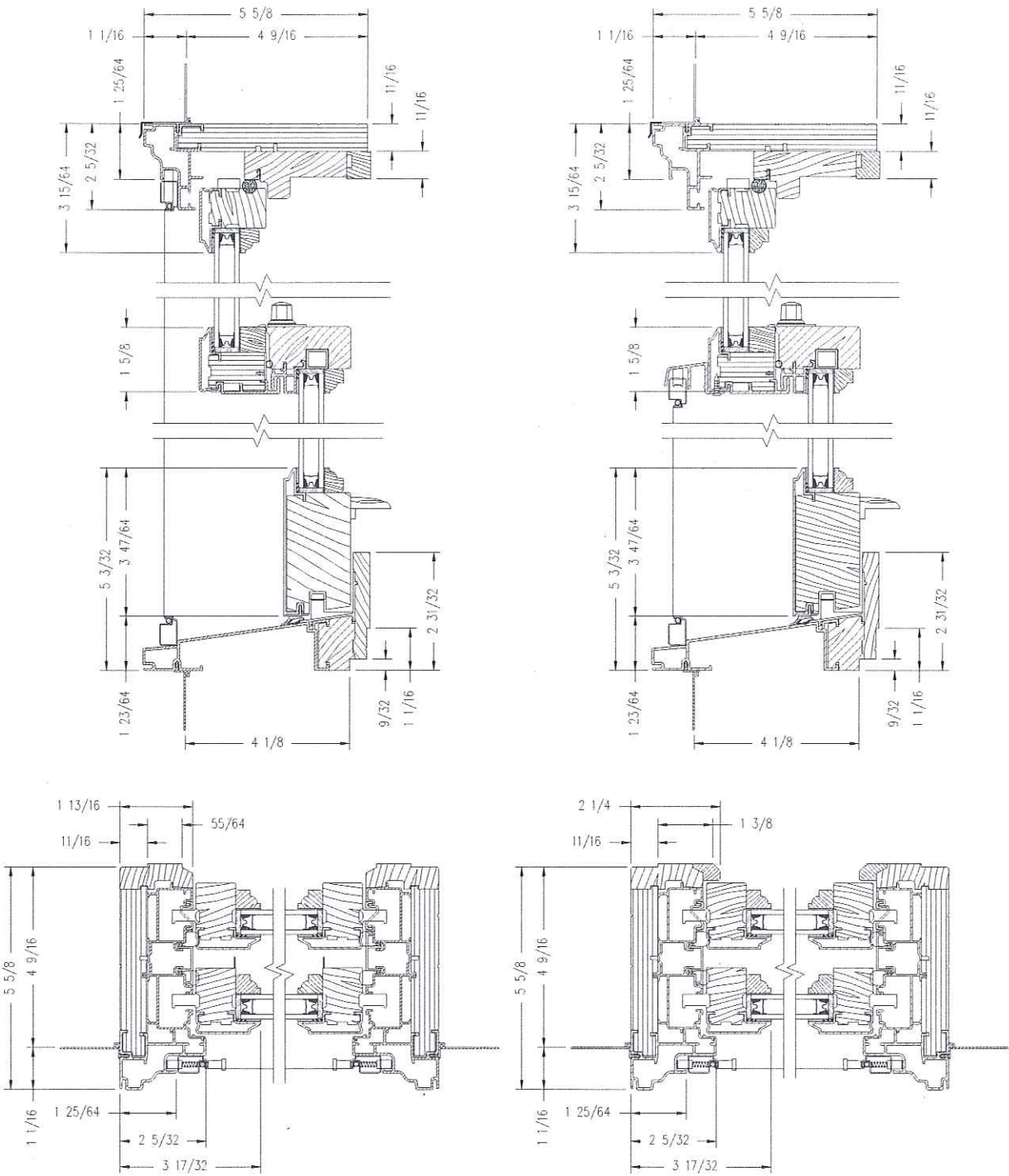
Talon double-hung jamb liners are available with synthetic or wood-veneered interior inserts and synthetic or painted aluminum exterior inserts.

Window Anchorage

Folding vinyl nailing fins may be used in conjunction with screws through the jambs or installation clips. Please see our Engineered Evaluations or the test report for specific anchoring specifications.

DOUBLE HUNG

MONUMENTAL SINGLE HUNG



Dynamically configure section details to your specific needs by accessing the Architectural Detail Configurator located within the Wintelligence® portion of the Eagle website.

NOTE
See page E-03 for optional "Aux" sill stop.



Performance Results

Test	2604 Criteria	Performance
Pencil Hardness	F+	3H Exceeds Specs
Adhesion		
· Cross Hatch Adhesion	No film removal	Pass
· Wet Adhesion	No film removal or blistering after 24 hours immersion at 100°F	Pass
· Boiling Water Adhesion	No film removal or blistering after 30 minutes in boiling water	Pass
Impact Resistance, Direct	No film removal after .10" metal deformation	Exceeds (No film removal or cracking)
Abrasion Resistance	Falling sand resistance = 20 liters/dry mil coating	Pass
Chemical Resistance		
· Muriatic Acid	No blistering	Pass
· Mortar Resistance	Mortar and lime easily removed	Pass
· Nitric Acid	No color change	Pass
· Window Cleaner Resistance	No blistering, no appearance change	Pass
· Detergent Resistance	No blistering, no appearance change	Pass
Corrosion Resistance		
· Humidity	3000 hours, 100°F, 100% RH	Pass
· Salt Spray	3000 hours, 5% concentration	Pass
Weathering		
<i>5 years South Florida for all</i>		
· Chalk	No less than rating of 8	Pass
· Fade	No more than 5 Hunter Units	Pass
· Gloss	No less than 30% retention	Exceeds

Warranty Information

The Eagle 20/10 Transferable Limited Warranty covers exterior finishes for 10 years against chalking and color change and 20 years against cracking, checking, peeling, flaking, blistering and loss of adhesion. See the complete Eagle 20/10 Transferable Limited Warranty for details.



Printed on paper manufactured with virgin pulp from certified sources and a minimum of 10% post-consumer recovered fiber.

Eagle decreases paper consumption by printing on recycled paper and providing comprehensive product and technical information online at EagleWindow.com. Please help us by recycling this brochure if you no longer need it.

© 2008 Eagle Window & Door Manufacturing, Inc. "Eagle" and all other marks denoted are trademarks of Eagle Window & Door Manufacturing, Inc. Part No: 1108

Eagle Window & Door

2045 Kerper Blvd.
Dubuque, IA 52001
TEL 563.556.2270 FAX 563.556.4408

For more information, or for the dealer nearest you, call 800.453.3633 or visit EagleWindow.com



INNOVATIONS FOR LIVING®

Oakridge® Shingles



featuring

Artisan Colors



Oakridge® Artisan Color
Flagstone†



Total Protection Roofing System™** together to help protect and your home.

It takes more than just shingles to protect your home. The Total Protection Roofing System™** is made up of all the essential Owens Corning™ Roofing components and layers that are designed to maximize your roof's performance and durability. Shingles and underlayment products help guard against weather outside, while ventilation products help balance air flow and humidity inside the attic. The Total Protection Roofing System™** is designed to give you the best of both worlds. At all your Owens Corning™ Roofing components are designed to maximize the performance of your new roof – and the comfort and enjoyment of those who live beneath it.

- a** VentSure® Ventilation Products
- b** PINK® Fiberglas™ Blown-In Insulation
- c** Owens Corning™ Hip & Ridge Shingles
- d** Owens Corning™ Shingles
- e** Owens Corning™ Underlayment Products
- f** WeatherLock® Self-Sealing Ice & Water Barrier Products
- g** Owens Corning™ Starter Shingle Products
- h** Owens Corning™ Undereave Ventilation Products
- i** Illuminator™ Tube Skylight

ENERGY STAR® is for roofs too.



Similar to the energy-efficient appliances in your home, roofing products can provide energy-saving qualities. Owens Corning™ Oakridge® Roofing Shingles in Shasta White can help reduce your energy bills when installed properly. These shingles reflect solar energy, decreasing the amount of heat transferred to a home's interior—and the amount of air conditioning needed to keep it comfortable. Actual savings will vary based on geographic location and individual building characteristics. Call 1-800-GET-PINK® or 1-888-STAR-YES for more information.

Product Attributes

Warranty Length*

Limited Lifetime** (for as long as you own your home)

Wind Resistance Limited Warranty*

110/130† MPH

Algae Resistance Limited Warranty*

10 Years

Tru PROtection® Non-Prorated Limited Warranty* Period

10 Years

Oakridge® Shingles Product Specifications

Nominal Size	13 1/4" x 39 3/8"
Exposure	5 5/8"
Shingles per Square	64
Bundles per Square	3
Coverage per Square	98.4 sq. ft.

Applicable Standards and Codes

ASTM E 108, Class A Fire	ASTM D 3462
ASTM D 3161, Class F Wind	ASTM D 228
ASTM D 7158, Class H Wind	UL 790, Class A
ASTM D 3018, Type 1	



INNOVATIONS FOR LIVING®

OWENS CORNING ROOFING AND ASPHALT, LLC
 ONE OWENS CORNING PARKWAY
 TOLEDO, OHIO, USA 43659

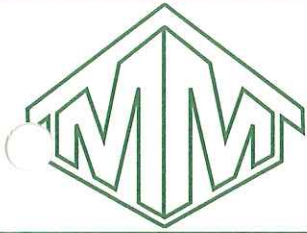
1-800-GET-PINK®
www.roofing.owenscorning.com

Pub. No. 10007672. Printed in U.S.A. November 2012. THE PINK PANTHER™ & ©1964–2012 Metro-Goldwyn-Mayer Studios Inc. All Rights Reserved. The color PINK is a registered trademark of Owens Corning. ©2012 Owens Corning. All Rights Reserved.

Owens Corning™ Roofing Preferred Contractors are independent contractors and are neither affiliates nor agents of Owens Corning Roofing & Asphalt, LLC, or its affiliated companies.

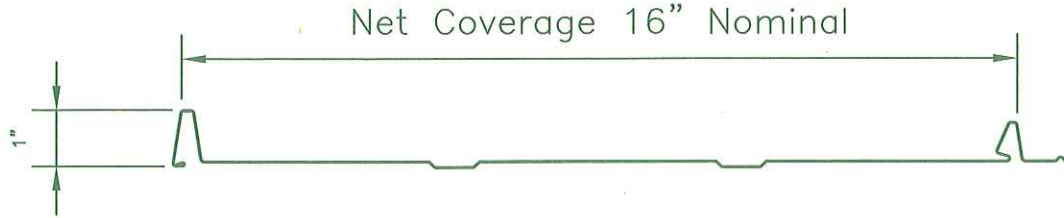
(Atlanta, Savannah)

SI-115982

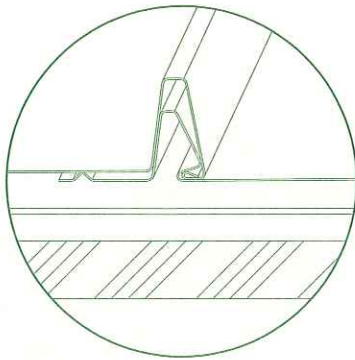


MILLENNIUM METALS, INC.

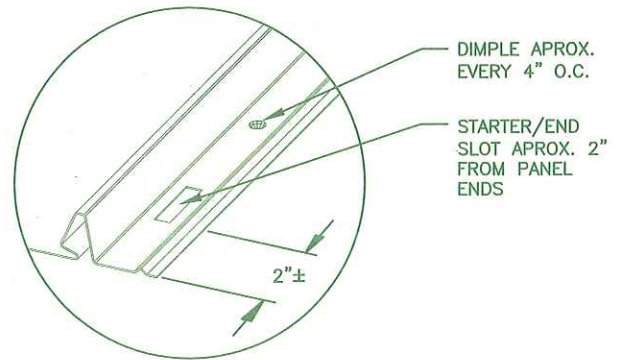
10200 EASTPORT ROAD JACKSONVILLE, FL 32218
 904-358-8366 WATTS 1-877-357-7663 (ROOF)
 FAX 904-358-8285



PANEL PROFILE



Sidelap Detail



Nailstrip Detail

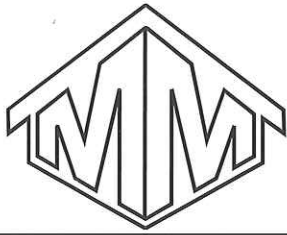
NOTES:

1. M-Seam Panels are only available with minor ribs to reduce oil canning.
2. Oil canning is inherent to all metal panels and therefore is not considered a manufacturers defect nor a warranty condition.
3. Consult your contractor immediately if you need information concering this condition.

Gauge	Finishes	Nominal Thickness	ASTM & Grade Specifications
26	Acrylic Galvalume	.0179	ASTM A-792 AZ55
26	PTD Galvalume *	.0179	ASTM A-792 AZ55
24	Acrylic Galvalume	.0240	ASTM A-792 AZ55

* PTD Galvalume is 70% Kynar 500 or Hylar 5000 PVDF Resin unless otherwise indicated.

Millennium Metals Offers a Limited 25 year warranty on Painted Panels, 20 year limited warranty on Mill Finished Acrylume Panels. Please request warranty information from your distributor.

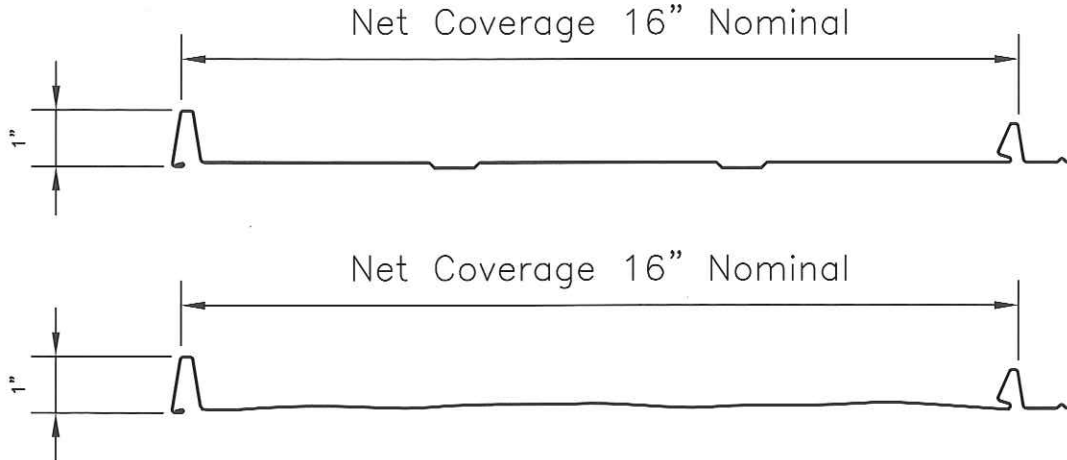


MILLENNIUM METALS, INC.

10200 EASTPORT ROAD JACKSONVILLE, FL 32218
904-358-8366 WATTS 1-877-358-7663 (ROOF)
FAX 904-358-8285



M-SEAM PANEL PROFILE



Gauge	Finishes	Nominal Thickness	ASTM & Grade Specifications
26	Acrylic Galvalume	.0179	ASTM A-792 AZ55
26	PTD Galvalume *	.0179	ASTM A-792 AZ55
24	Acrylic Galvalume	.0240	ASTM A-792 AZ55

* PTD Galvalume is 70% Kynar 500 or Hylar 5000 PVDF Resin unless otherwise indicated.

Millennium Metals Offers a Limited 35 year warranty on Kynar Painted Panels, 25 year limited warranty on Mill Finished Acrylume Panels. Please request warranty information from your distributor.

M-Seam is available in both painted and Acrylic Galvalume with matching trim and accessories. With all these choices, there is something to suit any preference. Please see our product approval located on the Florida product approval link at www.floridabuilding.org. for installation information or contact our office for more information.

Please note actual colors may vary slightly from the color samples on this flyer. A color chip or sample can be provided at the request of the customer.

Oil Canning Disclaimer

M-Seam as any design with flat spans is prone to oil canning. This wavy appearance is in the surface of the panel does not affect the structural integrity of the panel nor is it reason for rejection or refusal.

*All Colors Are Energy Star Approved



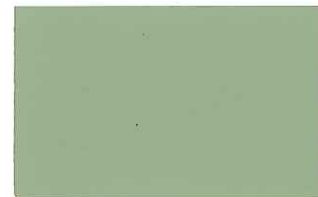
Colonial White



Regal Blue



Brick Red



Patina Green



Burnished Slate

Galvalume



Slate Gray



Forest Green



Coppertone



FRONT DOOR



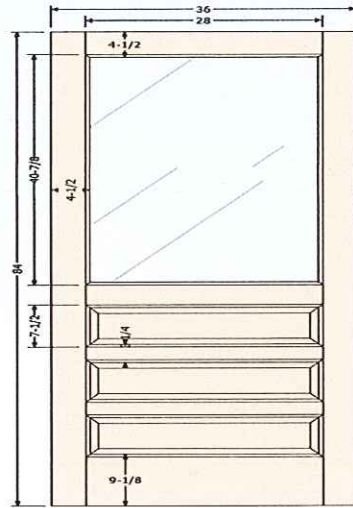
Logout

Search Door Patterns

- Products
- Idea Gallery
- Door Builder
- About RVD
- Find a Dealer
- Resources

Door Builder

Create your own custom Rogue Valley Door.



CLICK TO ZOOM

Door

Thickness Pattern

Species Width Height

Enter custom width/height using fractional format

Site Width Top Rail Bottom Rail

Fire Rating

PRINT

Styling

Wood Panel Veneer Options

True V-Groove

Glass Panel Replace Panels With Glass

Saved Doors

Door Name	Date	Action
1912-1/2 Barnard st	09/17/2013	X
1912	09/31/2013	X
Koreul	07/23/2013	X
koreul2	07/23/2013	X

Price: Call your [Local Dealer](#) for a quote

We are Rogue Valley Door. America's largest builder of wood doors.



Products

- Interior
- Exterior
- Decorative
- Custom
- Rustic
- Beaded Panel
- Traditional
- French

Product Information

- Environment
- Literature Download
- Glass Cleaning Guide
- Warranty
- Finishing Instructions
- Door Repair
- Sticking Profiles

Idea Gallery

- Door Builder
- Find A Dealer
- Catalog

About RVD

- Contact Us
- Privacy Policy
- Legal

Copyright © 2013 Rogue Valley Door. All rights reserved

Site created by [Snapshot Group](#)

Back Door



Logout

Search Door Patterns



Products

Idea Gallery

Door Builder

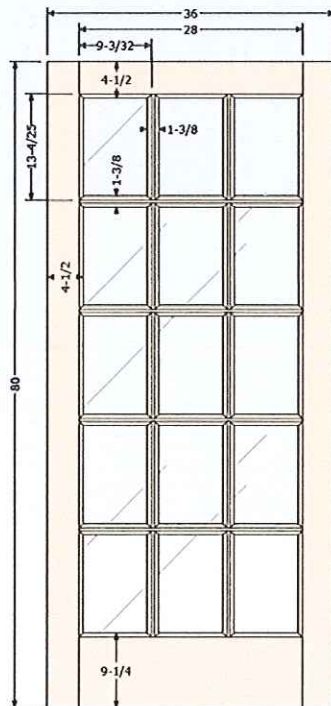
About RVD

Find a Dealer

Resou

Door Builder

Create your own custom Rogue Valley Door.



CLICK TO ZOOM

Door

Thickness

Pattern

Species

Width

Height

3/0

6/8

Enter custom width/height using fractional format

Stile Width

Top Rail

Bottom Rail

4-1/2

9-1/4

Fire Rating

Styling

Wood Panel

Veneer Options

True V-Groove

Glass Panel

Replace Panels With Glass

Saved Doors

Door Name	Date	Action
1912-1/2 Barnard st	05/17/2013	X
1912	05/31/2013	X
Koncul	07/23/2013	X
koncul2	07/23/2013	X

Price: Call your [Local Dealer](#) for a quote.

We are Rogue Valley Door. America's largest builder of wood doors.



Products

- Interior
- Exterior
- Decorative
- Custom
- Rustic
- Beaded Panel

Product Information

- Environment
- Literature Download
- Glass Cleaning Guide
- Warranty
- Finishing Instructions
- Door Repair

Idea Gallery

- Door Builder
- Find A Dealer
- Catalog

About RVD

- Contact Us
- Privacy Policy
- Legal