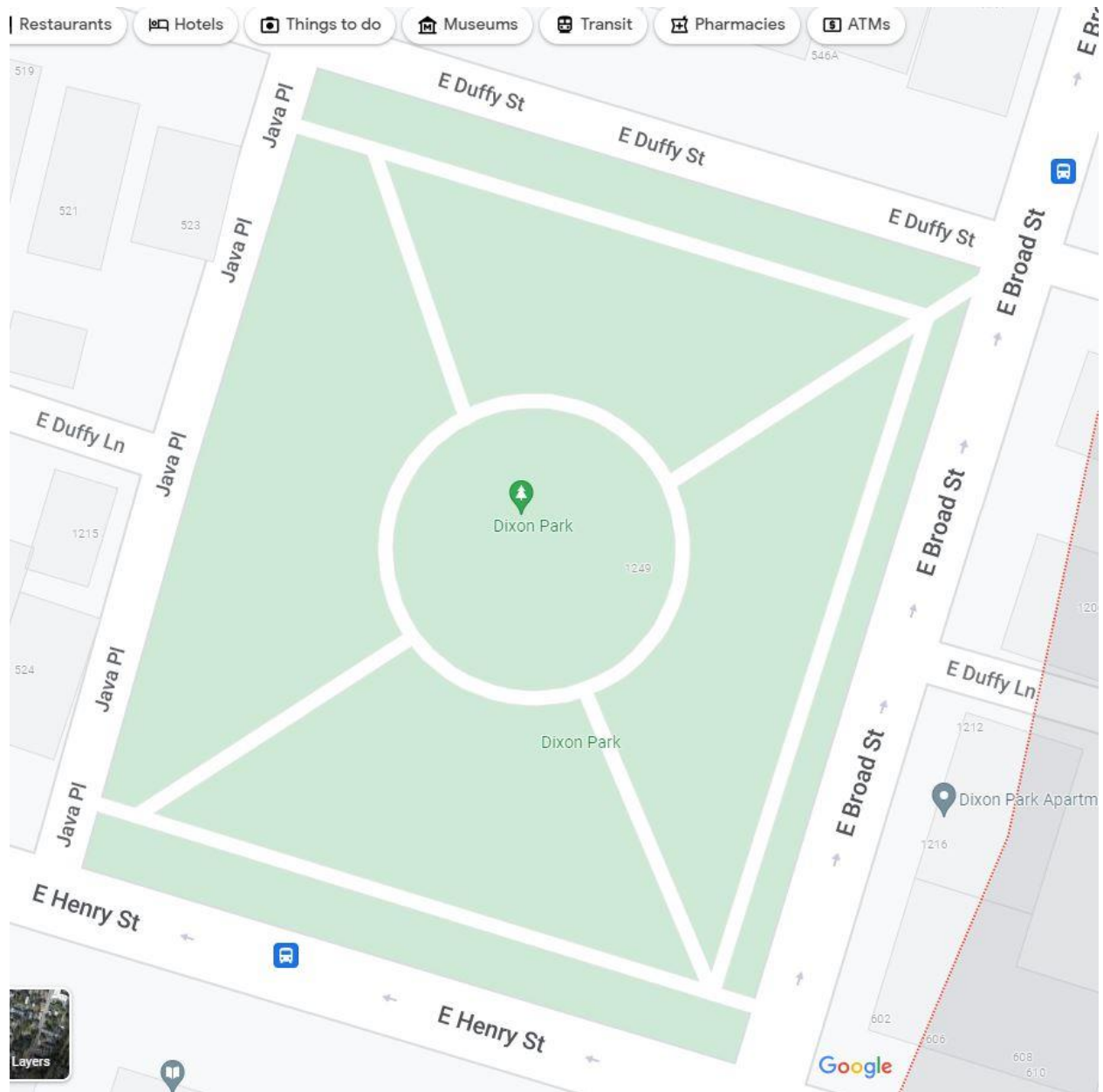


Historical Sites and Monuments Commission
Historical Marker Application Materials

Supplement A: Project Description

The Georgia Historical Society (GHS), in partnership with the League of Women's Voters Coastal Georgia, *The Savannah Tribune*, and Delta Sigma Theta Sorority, Inc. - Savannah Alumnae Chapter, will erect a new historical marker illustrating the impact of suffragist Mamie George Williams. The historical marker (see Supplement E) highlights her political and social impact (see Supplement C) on a local, statewide, and national level. The proposed location for the historical marker is in Dixon Park, the neighborhood where Mamie George Williams lived and worked (see Supplement B).

Supplement B – Photographs and Maps



The proposed historical marker will go in Dixon Park.



The proposed historical marker will go in Dixon Park in the quadrant closest to the intersection of E. Henry Street and Java Lane. Gordon Denney, PLA, Senior Director at the City of Savannah Parks & Tree Department, consulted with the applicant on this location.

Supplement C - Themes

The Mamie George Williams historical marker illustrates the themes of “Civic and Institutional,” “Social and Humanitarian,” and “Local History.”

Civil and Institutional

The Mamie George Williams historical marker demonstrates the Civil and Institutional theme through the accomplishments of Mrs. Williams as the First African American woman and the first woman from Georgia to sit on the National Republican Committee. Mamie George Williams also registered thousands of African American women in Georgia to vote in the anticipation of the passage of the 19th Amendment and despite Jim Crow era laws and voting restrictions against African Americans that would continue until after her death in 1951.

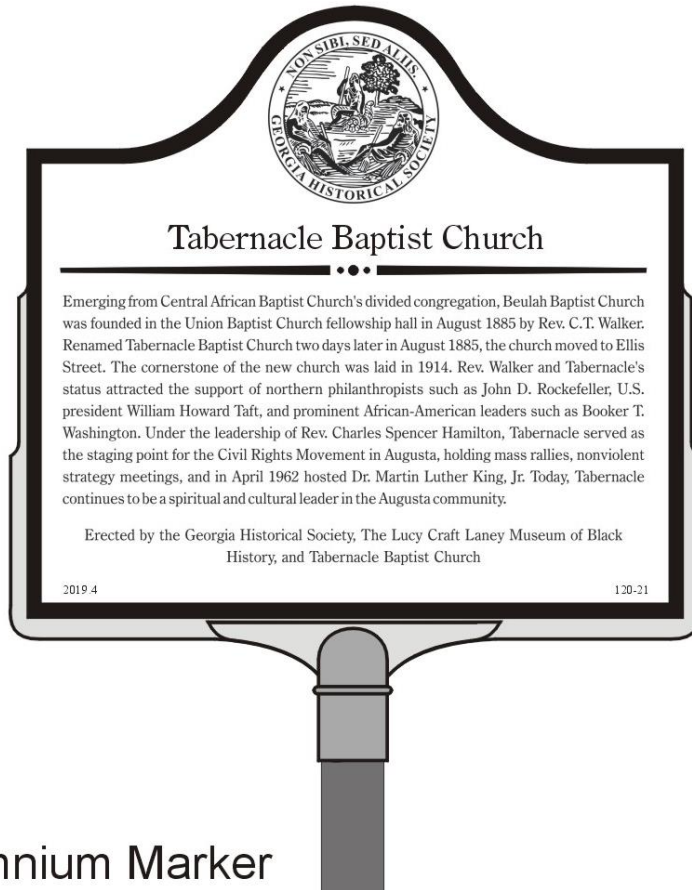
Social and Humanitarian

Mamie George Williams was involved in many philanthropic efforts throughout the state. She was instrumental in fundraising for many efforts, such as the establishment of a home and training center for girls in Macon, and the creation of a log cabin for the Negro Division of Girl Scouts in Hancock County.

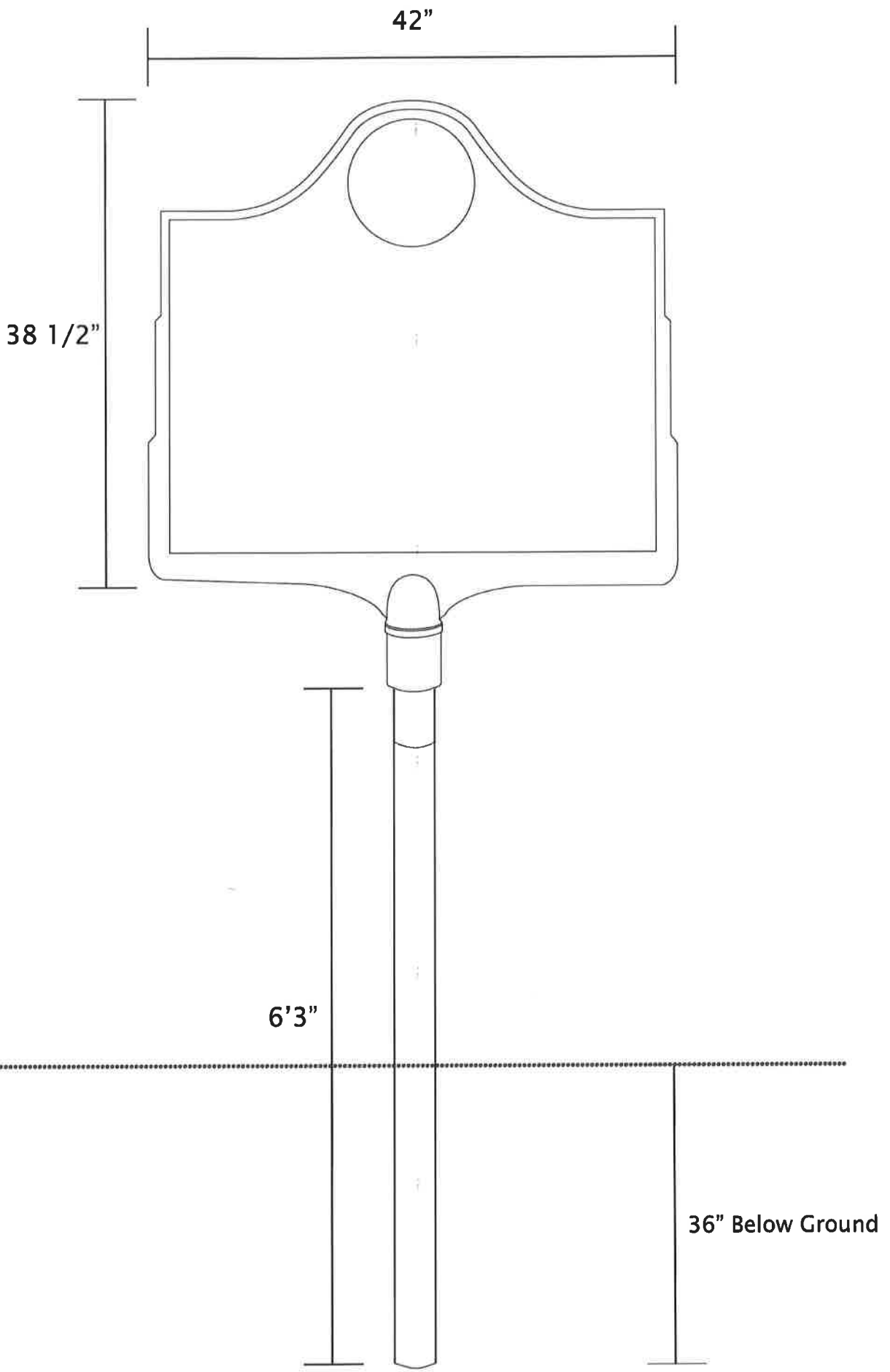
Local History

A native Savannahian, Mamie George Williams lived and worked in the Dixon Park neighborhood. She promoted community uplift through her involvement with Greenbriar Children’s Home and as a board member of the Negro Division of the Girl Scouts of Savannah. She also served on the board of what is now known as Carver State Bank, which served Savannah’s African American population.

Supplement D – Marker Drawing



42" x 38" Cast Aluminium Marker



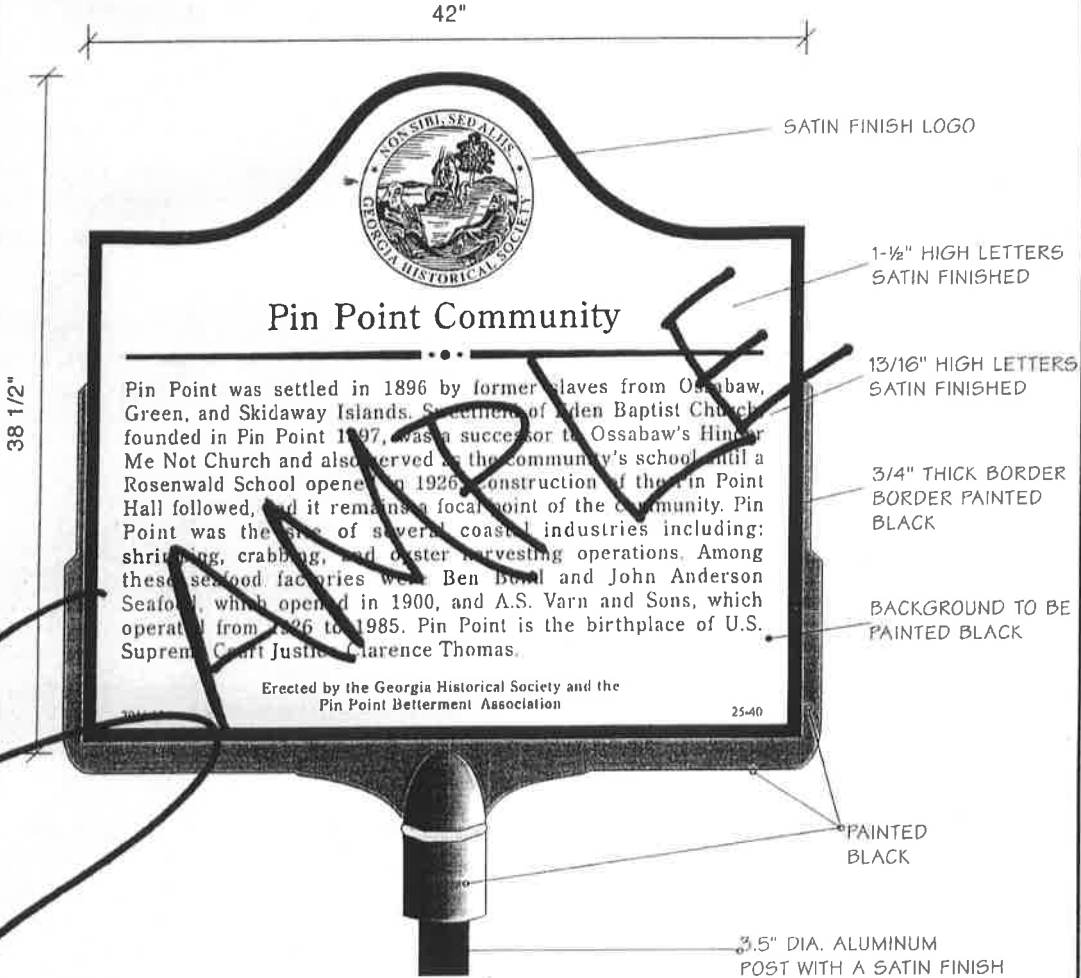
CAST ALUMINUM PLAQUE

42" W X 38-1/2" H

SCALE: 1/8" = 1"



YOU ARE THE FINAL PROOF-READER



o DOUBLE SIDED MARKER

o LETTERS ARE SATIN FINISH

PATTERN COUNT: 30 X 42

5/8"	1"	1 1/2"	2"
20	62	13	41
11	31	8	25

LETTER HEIGHT

TYPICAL COUNT

QUOTE # N/A FILE NAME: PIN POINT.CDR
 JOB # N/A DATE
 P.O. # N/A SUBMITTED: 7.29.11
 RE: PIN POINT COMMUNITY
 DRAWN BY: TONY PEREZ

QUANTITY: ONE (1)
 MATERIAL: CAST ALUMINUM W/ LOGO SEAL TO BE SATIN
 FINISH: BLACK BACKGROUND
 SIZE: 42" WIDE X 38 1/2" HIGH
 BORDER: SINGLE LINE COLOR TO BE BLACK
 LETTERS: NEW BRUNSWICK COLOR TO BE SATIN

PLEASE SPECIFY MOUNTING ATTACHMENTS

- CONCEALED
- WOOD SCREWS W/ROSETTES
- EXPANSION BOLTS W/ROSETTES
- TOGGLE BOLTS W/ROSETTES

THE DESIGN OF THIS PLAQUE HAS BEEN MADE USING COMPUTERIZED GRAPHICS. THE ACTUAL PATTERN USED IN CASTING WILL BE MADE BASED ON FINAL APPROVAL OF THIS SUBMITTAL DRAWING. THE FORMAT, LETTER STYLE, LETTER SIZE, SPACING AND MOUNTING ARE BASED ON INDUSTRY STANDARDS AND OUR CAPACITIES TO PRODUCE A HIGH QUALITY CASTING.

Supplement E – Historical Marker Text

Mamie George Williams

Mamie George Williams, a life-long resident of Savannah, lived and worked near here. A political and civic leader, Williams volunteered for many organizations, including the Red Cross, the Girl Scouts, and the National Association of Colored Women's Clubs. A suffragist, she organized voter campaigns and registered African American women to vote following passage of the 19th Amendment. Nonetheless, African Americans were denied full voting rights, due to Jim Crow laws. In 1924, Williams became the first woman from Georgia and the first African American woman in the nation to serve on the Republican National Committee. A community leader, she led fundraising efforts for a home in Macon for African American girls and served as vice president of Carver State Bank. She worked with the African American Girl Scouts, financially assisting with establishing their Log Cabin Camp in Hancock County.

Erected by the Georgia Historical Society, the League of Women's Voters Coastal Georgia, Delta Sigma Theta Sorority, Inc. - Savannah Alumnae Chapter, and *The Savannah Tribune*

Supplement F – Marker Installation

The historical marker is freestanding and will be installed by the City of Savannah.

Supplement G – Estimate of Costs

The estimated overall cost for a historical marker within the Georgia Historical Marker Program is \$5,000.00.

Supplement H – Funds Secured

The Georgia Historical Society has secured funds of \$5,000.00 for the total cost of the historical marker.

Supplement I – Escrow Payment

The Georgia Historical Society, as administrators of the Georgia Historical Marker Program, along with the historical marker sponsors, take responsibility for the repair and replacement of the submitted historical marker. We therefore ask that the Escrow Payment mentioned in the MPC Historical Marker Application be waved.

Please contact the Georgia Historical Society with any questions or concerns about ongoing maintenance of this proposed marker.

Supplement J – Letter of Consent

Pending approval.